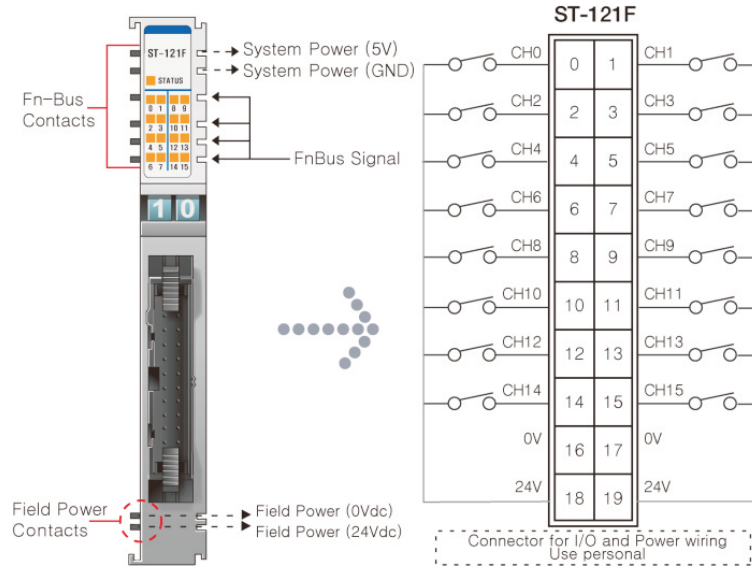


ST-121F

12V/24Vdc, 16 Points, Sink(Positive), 20P Connector



Item		ST-121F
Input Specification		
Inputs Per Module	16 Points Sink Type(Positive Logic)	
Indicators	16 Green Input States, 1 Green/Red Fn-Bus State	
ON-state Voltage	24Vdc nominal	
Min. OFF-state Voltage	Min. 10.2Vdc ~ Max. 28.8Vdc	
ON-state Current	Max. 6mA / Point @28.8Vdc	
Input Signal Delay	OFF to ON : Max. 3ms / ON to OFF : Max. 3ms	
Nominal Input Impedance	Typ. 5.1KΩ	
Filtering Time	Typ. 1.5ms	
Common Type	16 Points / 2COM	
General Specification		
Power Dissipation	Max. 45mA @ 5.0Vdc	
Isolation	I/O to Logic : Photocoupler Isolation	
Field Power	Supply Voltage : 24Vdc nominal Voltage Range : 11~28.8Vdc Power Dissipation : 5mA@28.8Vdc Per Point	
Wiring	Module Connector : HIF3BA-20D-2.54DSA	
Weight	70g	
Module Size	12mm x 99mm x 70mm	
Environment Condition	Refer to " Environment Specification"(page : 1-191)	
Pin No.	Description	
0	Input Channel 0	
1	Input Channel 1	
2	Input Channel 2	
3	Input Channel 3	
4	Input Channel 4	
5	Input Channel 5	
6	Input Channel 6	
7	Input Channel 7	
8	Input Channel 8	
9	Input Channel 9	
10	Input Channel 10	
11	Input Channel 11	
12	Input Channel 12	
13	Input Channel 13	
14	Input Channel 14	
15	Input Channel 15	
16	Field Ground (0V)	
17	Field Ground (0V)	
18	Field Power (+24Vdc)	
19	Field Power (+24Vdc)	
-	-	